







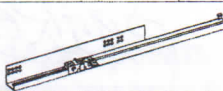
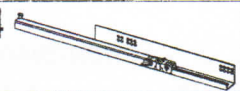

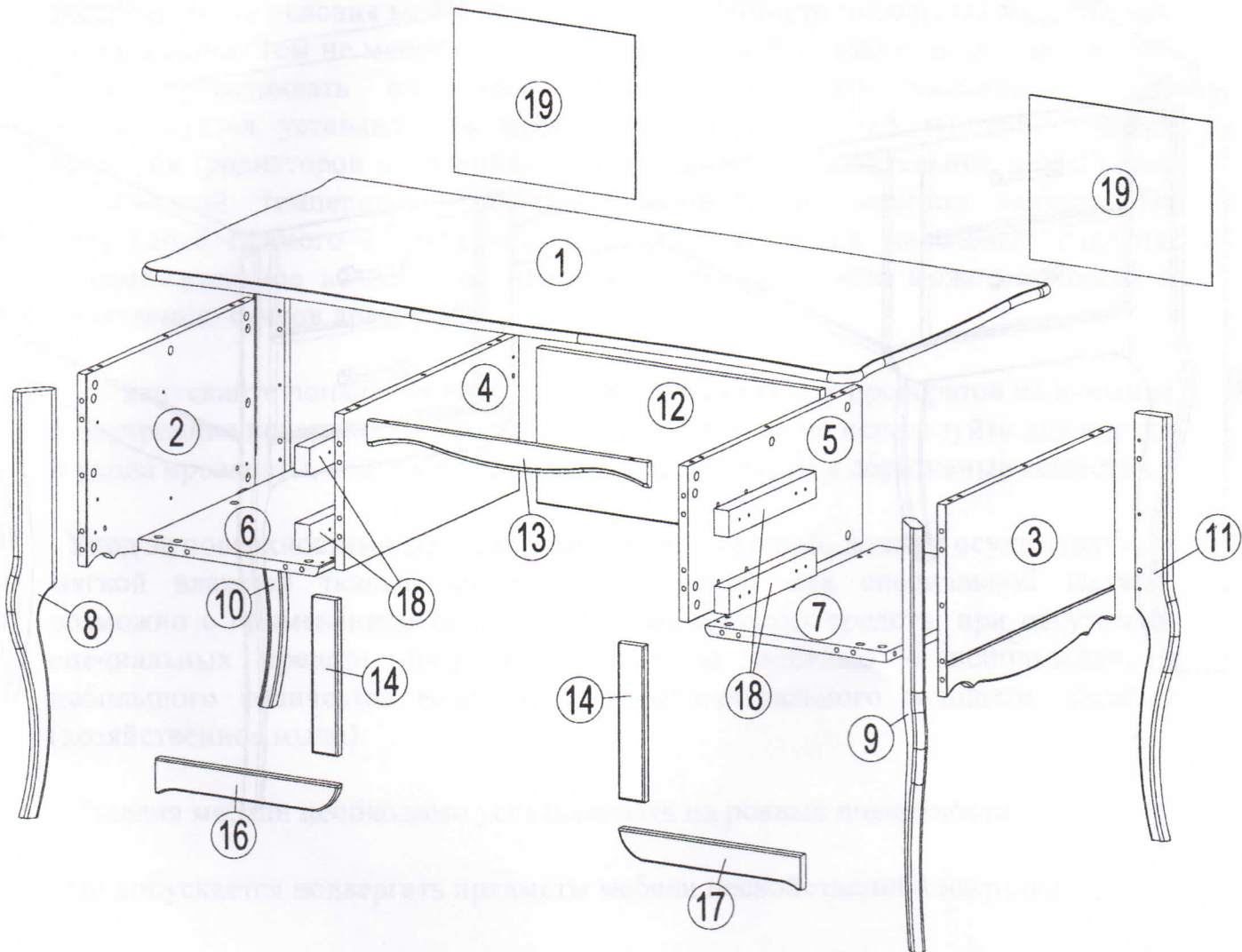
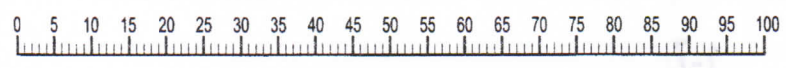
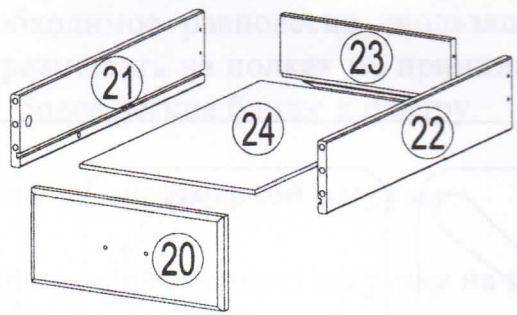


90 min

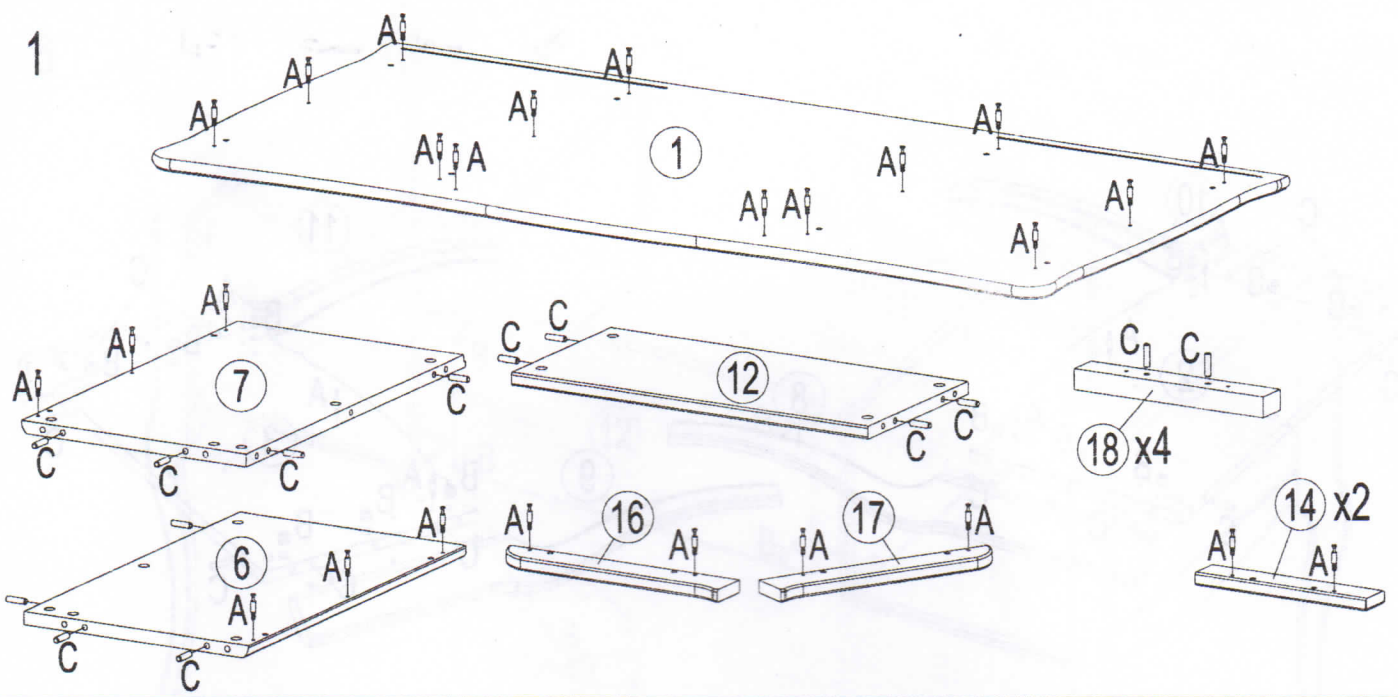
Ax58 	Bx58 	Cx56 	Dx16  6,1/7,8x13	Ex8  M4x22	Fx4 
Gx16  Ø3.5x35	Hx25  1,2x20	Ix4 	Jx4 	Kx8  Ø4x45	



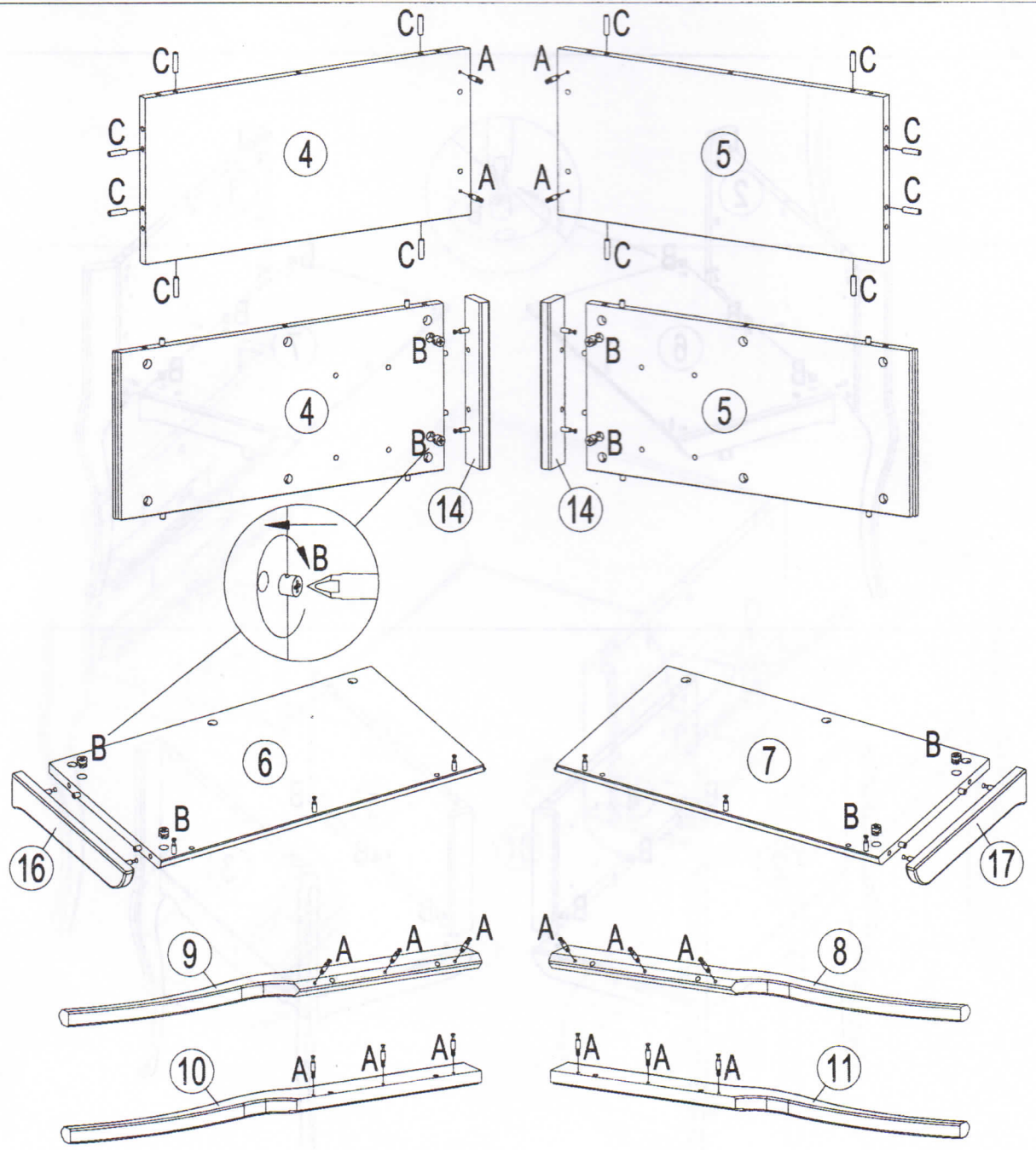
x4



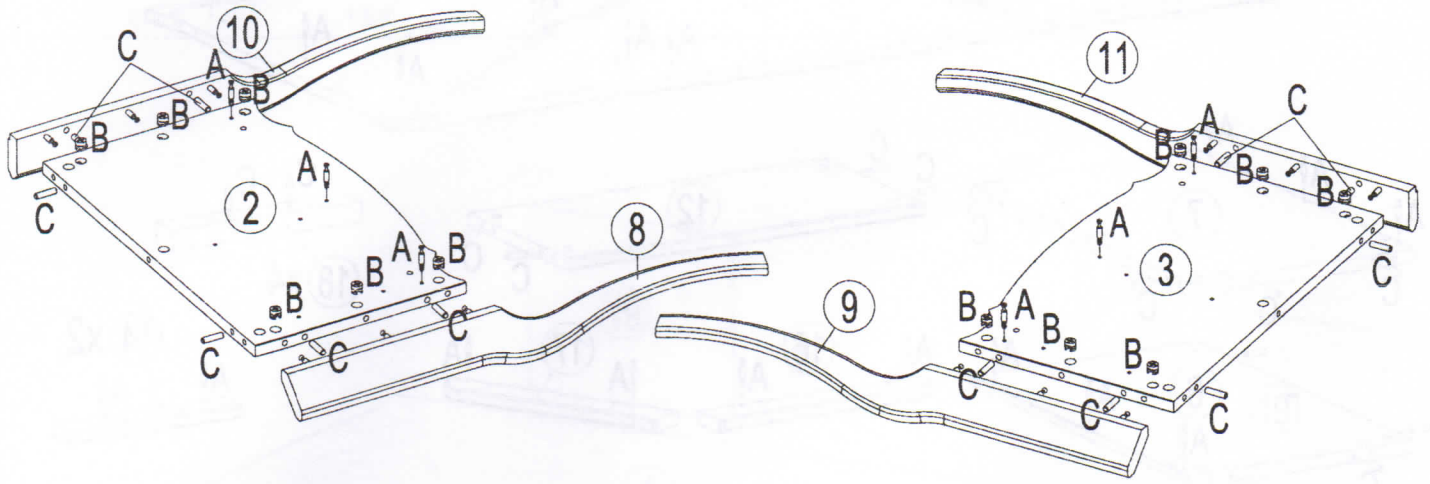
1



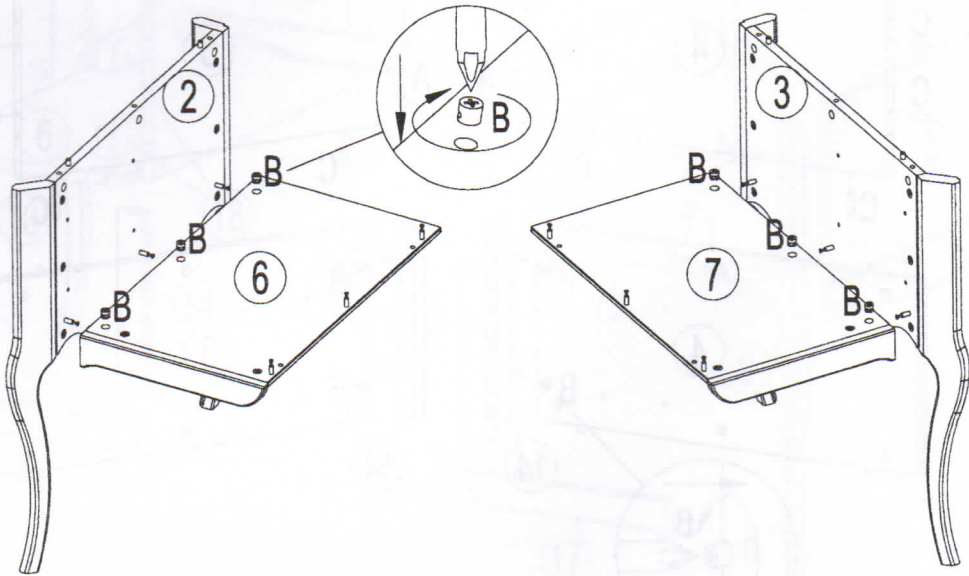
2



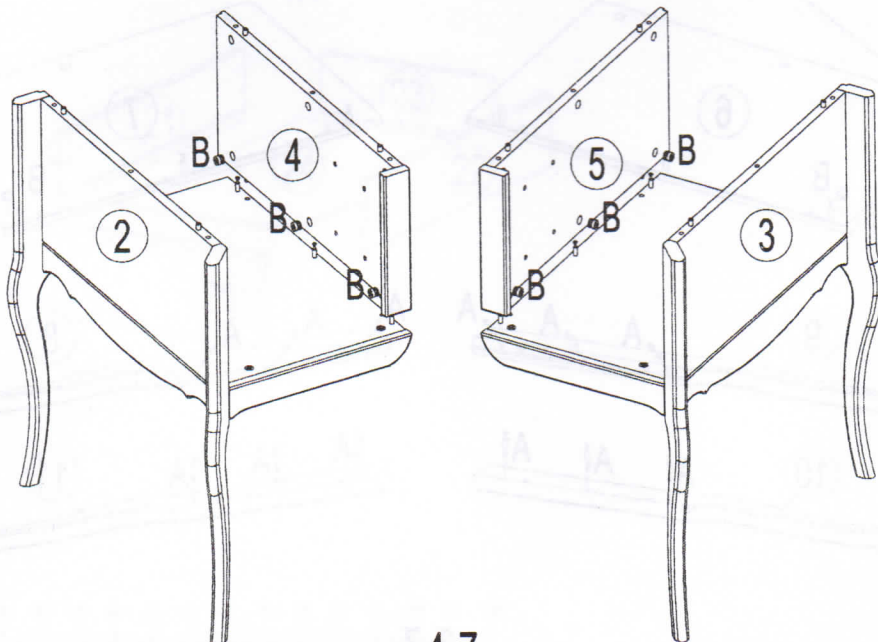
3



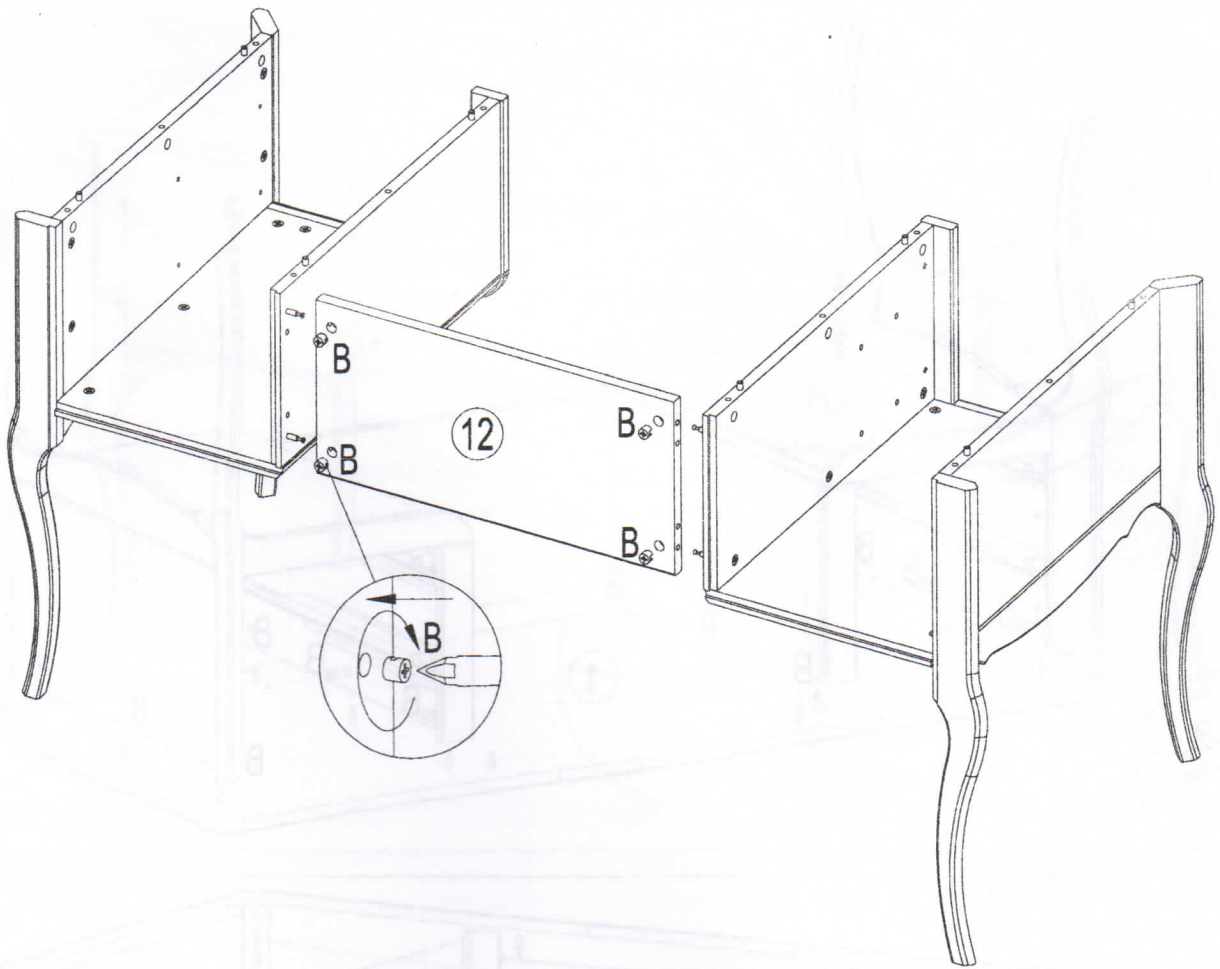
4



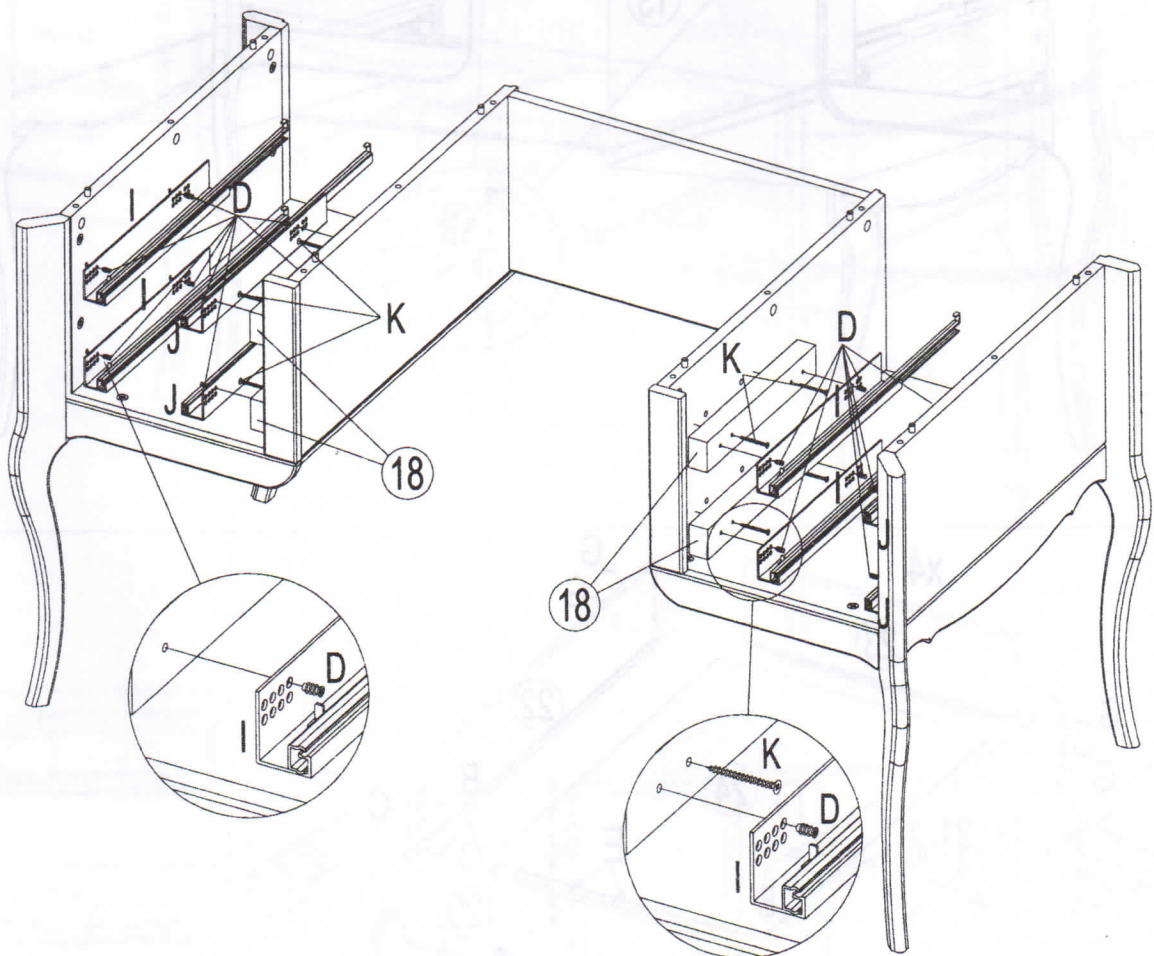
5



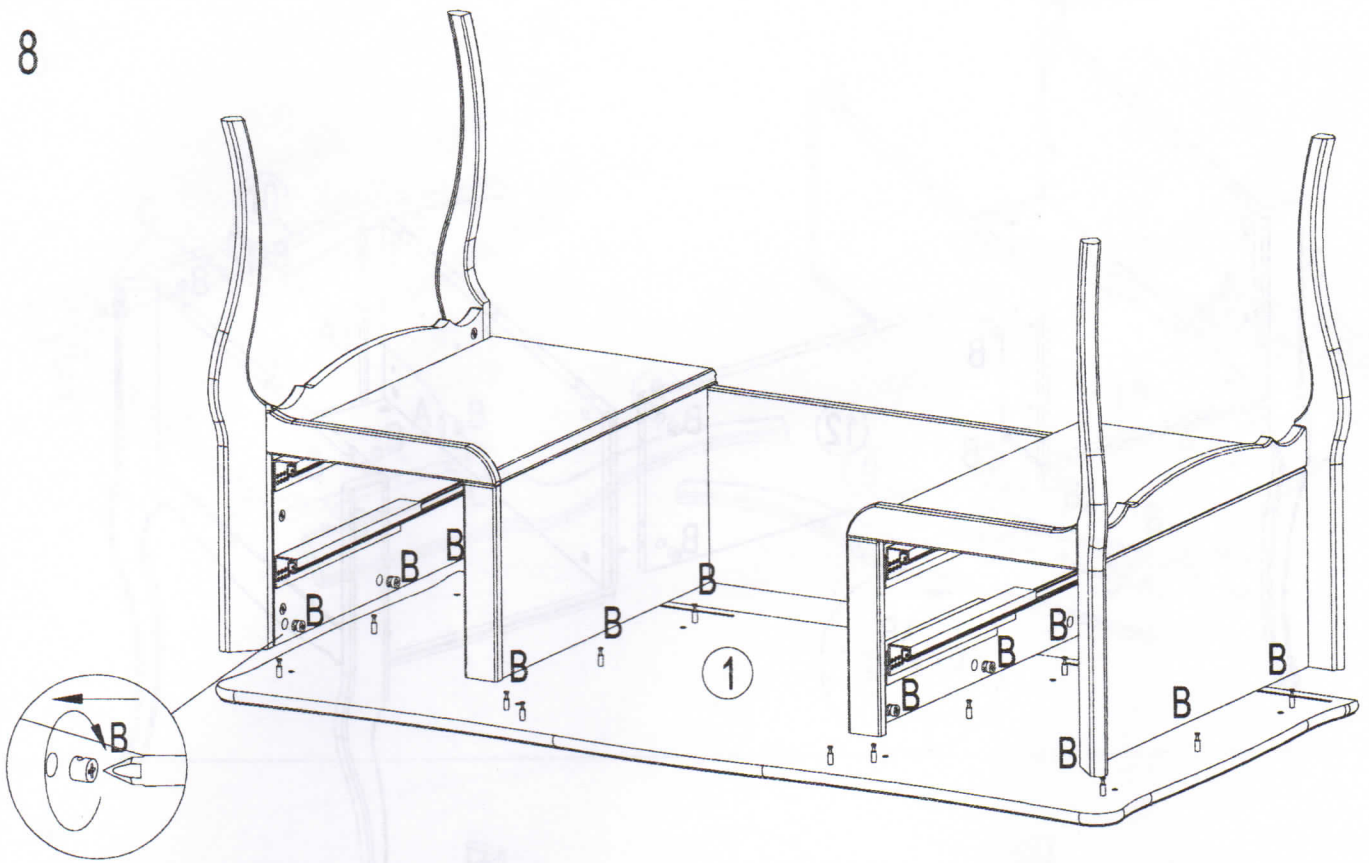
6



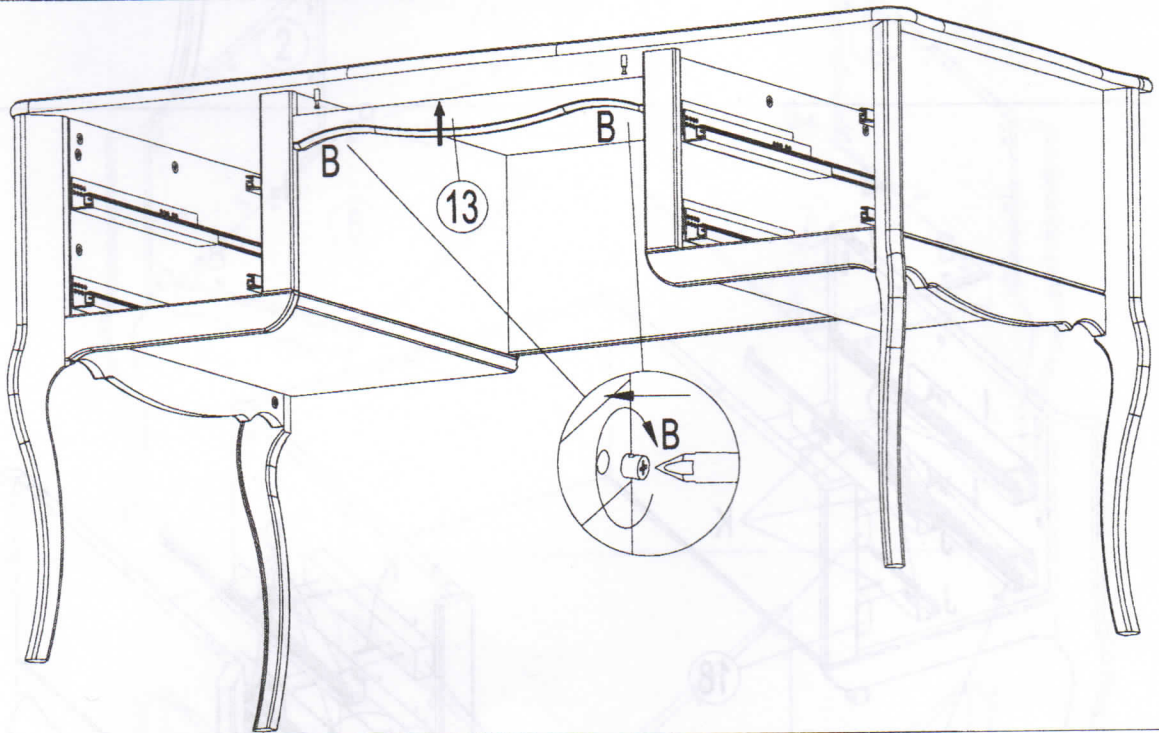
7



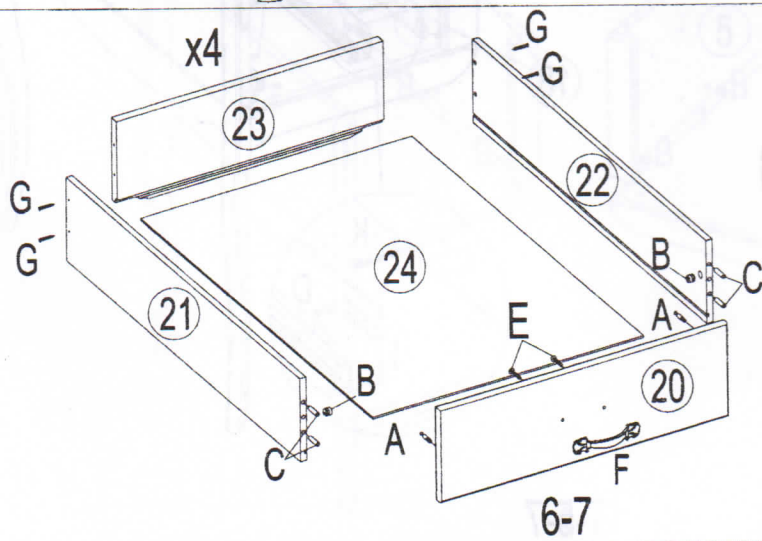
8



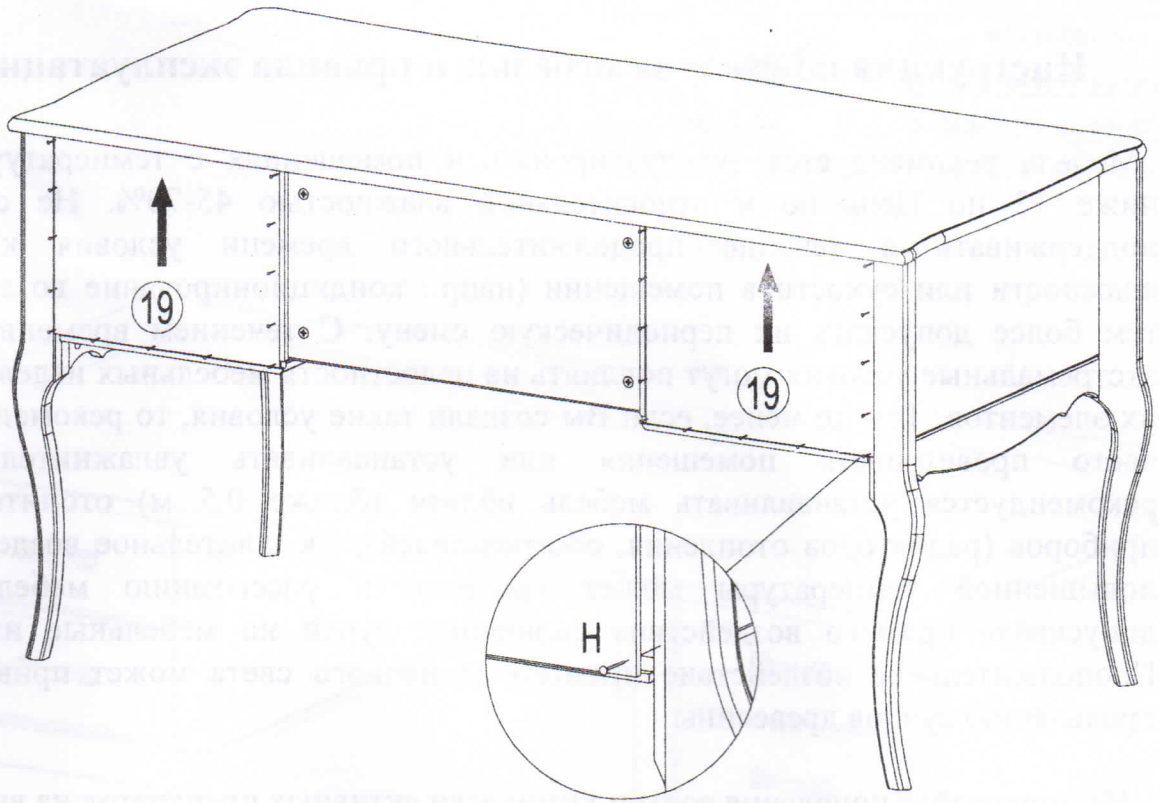
9



10



11



12

